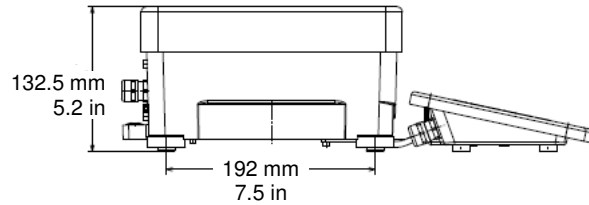


SIWRDCP-V12

Preconfigured Signum Complete Scale



SPECIFICATIONS:

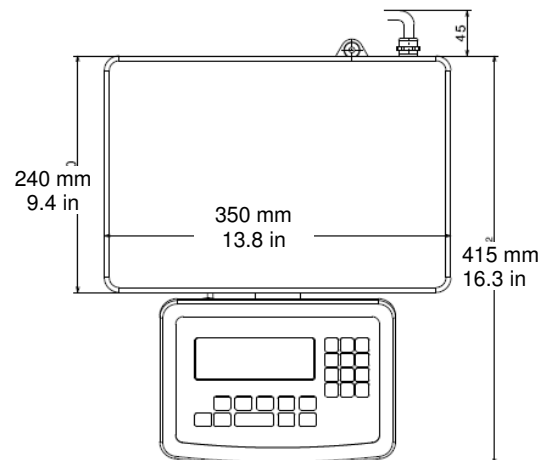
| | | | |
|-------------------|---------------|----------------------|--------------------|
| Weighing Capacity | 6 kg | Platform Size (WxD) | 13.7" x 9.4" |
| Readability | 1 g | Dimensions (WxD) | 13.7" x 16.5" |
| Linearity | ± 0.4 g. | Displ. Dim. (WxHxD) | 9.5" x 2.5" x 7" |
| Reproducibility | ± 0.2 g | Display Cable Length | 6 feet |
| Response Time | < 1 seconds | Net Weight | 26 1lb. |
| Operating Temp. | 10°C to +40°C | Type of Display | Backlit 14-segment |
| Protection Rating | IP 65 | Overload Capacity | 300 kg. |

FEATURES:

- The new Signum from Sartorius** is a compact industrial scale that offers exceptional performance features and is very easy to operate. Flexible and ergonomic thanks to adaptable mounting options of the control unit in a slim-line design.
- Application Level 2 – 14 keys, 14 segment display**, Applications include Counting, Weighing in Percent, Animal Weighing, Checkweighing, Classification, Totalizing, Net-Total Formulation
- IP65 Protection Rating**
 The IP 65 protection rating means the scale is dust-tight and with low-pressure water jet protection. This feature makes these scales suitable for use in some of the harshest industrial environments.
- Optional Additional Interfaces**
 Ethernet TCP/IP
 RS232/422/485
 Profibus-DP
 Analog: 4-20mA, 0-20mA, 0-10V 16 Bit
 Digital I/O: 5 in-5 out Opto 130

RS232 Data Interface

The SIWRDCP-V12 scales come with a bi-directional interface, which allows for simple connection to a printer or computer for easy data acquisition and automation capabilities. 25-pin D-sub female connector



Sartorius Corporation
 131 Heartland Boulevard
 Edgewood New York 11717
 Toll Free: (800) 635-2906
 ☎ (631) 254-4249, Fax (631) 254-4252