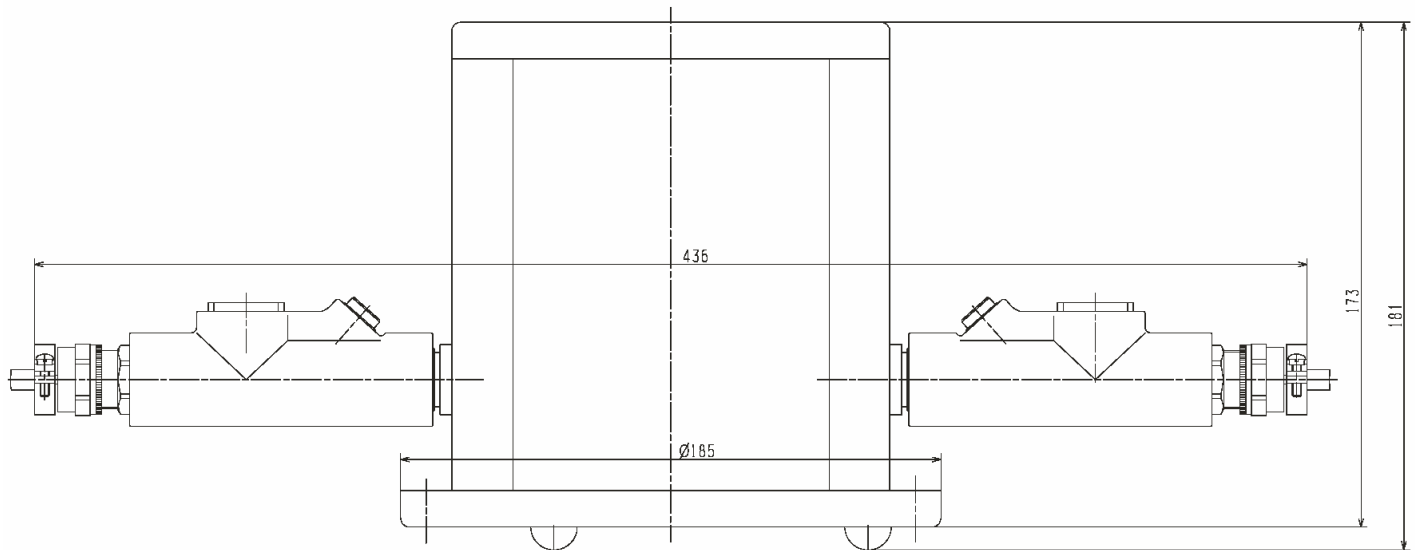


YPS02-XKR

Hazardous Area Power Supply



All dimensions shown are in mm.

SPECIFICATIONS:

FM / CSA Approval Rating: Class 1,2,3, Division 1, Groups A,B,C,D,E,F,G,T4.
Power Requirements: Vm = 100-240 VAC, 50/60Hz, 25VA
Dimensions: L= 17.2" W= 7.3" H= 7.1"
Cable Lengths: 8 ft. intrinsically safe cable with connector to FC or FCA.
8 ft. cable requiring hardwiring by licensed electrician.

Power Line Designations: WHITE = Neutral
BLACK = Line
GREEN = Ground

DESCRIPTION:

Sartorius is not responsible for classifying a hazardous location.

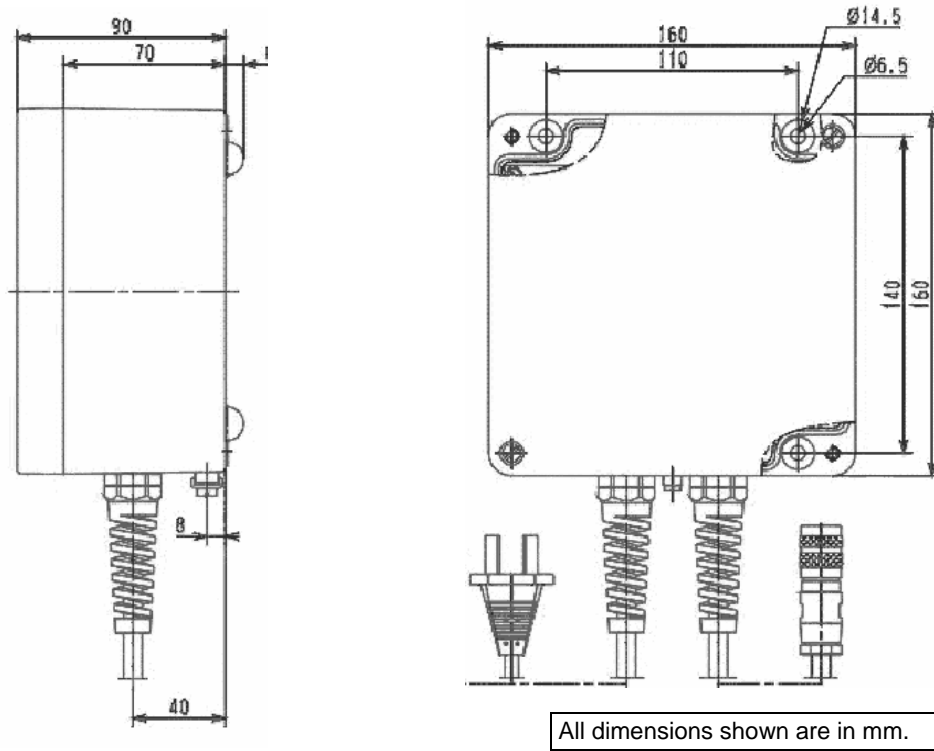
Hazardous Area Power Supply to be used in a hazardous area with either an FC or FCA intrinsically safe scale. Unit must be hardwired by licensed electrician.

Sartorius Corporation
131 Heartland Boulevard
Edgewood New York 11717
Toll Free: (800) 635-2906
☎ (631) 254-4249
Fax (631) 254-4261

Sartorius Fax on Demand: (800) 551-3774	
This Document Number:	20731
Related Documents	#
Hazardous Area Power Supply YPS02-XKR	20732
Explosion Proof Price List	42071
Industrial Catalog	2000

YPS02-ZKR

Safe Area Power Supply



SPECIFICATIONS:

FM / CSA Approval Rating:	Class 1,2,3, Division 1, Groups A,B,C,D,E,F,G,T4.
Power Requirements:	Vm = 100-240 VAC, 50/60Hz, 25VA
Housing Dimensions:	L= 6.3" W= 6.3" H= 3.5"
Cable Lengths:	3 ft. of cable to with plug to connect in safe area. 65 ft. intrinsically safe cable to connect to FC or FCA .

DESCRIPTION:

Sartorius is not responsible for classifying a hazardous location.

The safe area power supply is installed in the safe area and comes equipped with 65 ft. of intrinsically safe cable that can be run to the scale in the hazardous location. No hardwiring is required, however unit must be located in a safe area.

Sartorius Corporation
 131 Heartland Boulevard
 Edgewood New York 11717
 Toll Free: (800) 635-2906
 ☎ (631) 254-4249
 Fax (631) 254-4261

Sartorius Fax on Demand: (800) 551-3774	
This Document Number:	20732
Related Documents	
Safe Area Power Supply YPS02-ZKR	# 20731
Explosion Proof Price List	42071
Industrial Catalog	2000

The power supply 609308-61 weighs 2.6 lbs. And the dimensions of the black box is 5 inches long, 2 inches high and 2.5 inches wide. The black cable is 6 feet long and the blue cable is 65 feet long.



